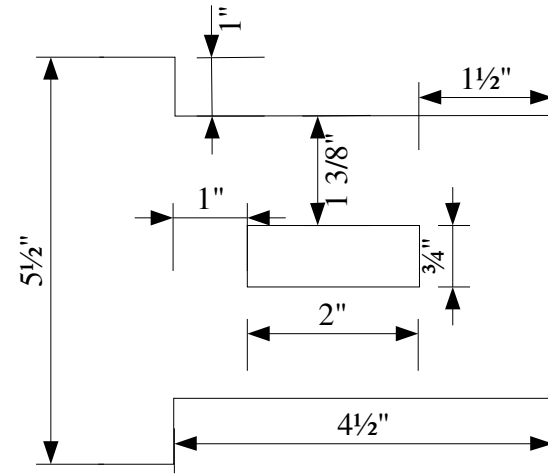
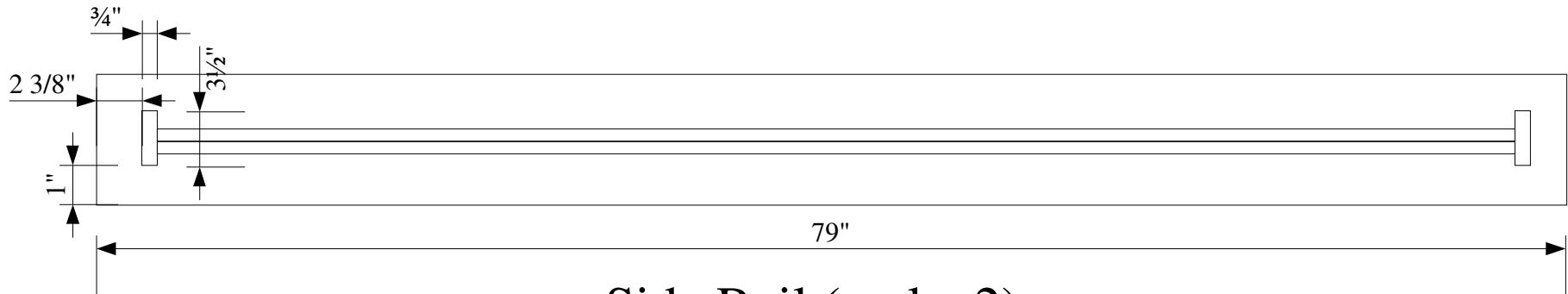


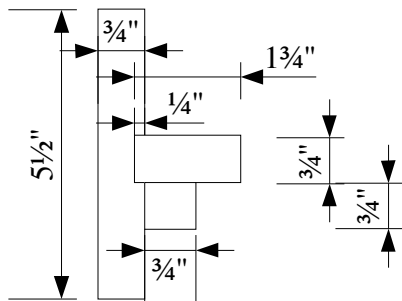
Headboard / Footboard
(make 2)



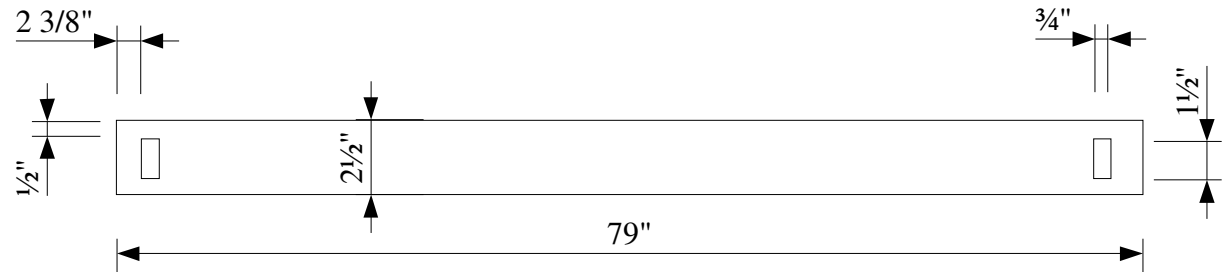
Headboard / Footboard End Detail



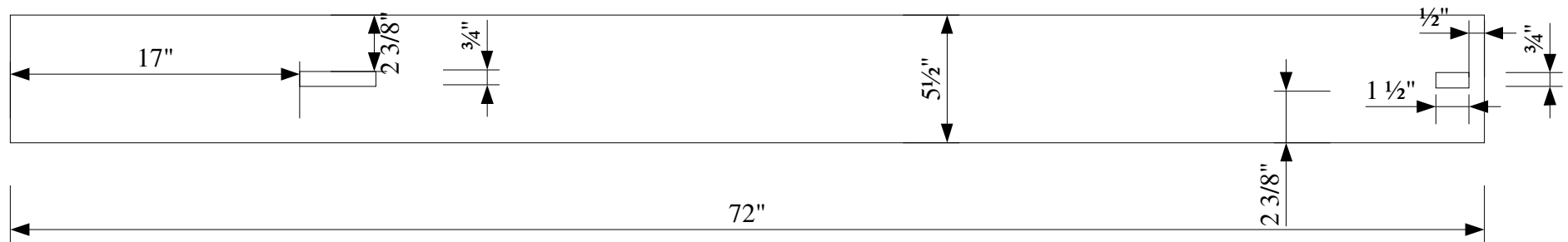
Side Rail (make 2)



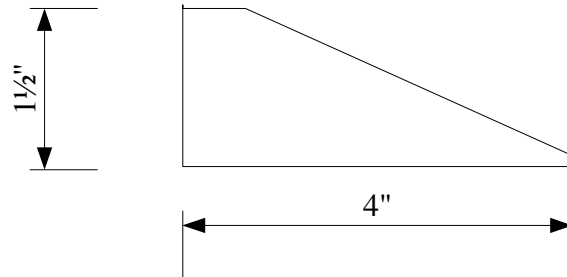
Side Rail End View



Canopy Side Rail (make 2)



Legs (make 4)



Pegs (cut 16)

Materials:

Oak works well, Poplar would probably work well, too. Pine may not be strong enough.

- 2: $\frac{3}{4}$ " x $5\frac{1}{2}$ " x 79" side rails
- 2: $\frac{3}{4}$ " x $1\frac{3}{4}$ " x $72\frac{3}{4}$ " slat support
- 2: $\frac{3}{4}$ " x $\frac{3}{4}$ " x $72\frac{3}{4}$ " slat support
- 4: $\frac{3}{4}$ " x $5\frac{1}{2}$ " x 72" legs
- 2: $\frac{3}{4}$ " x $5\frac{1}{2}$ " x 59" head/foot board
- 2: $\frac{3}{4}$ " x $2\frac{1}{2}$ " x 79" canopy side rails
- 2: $\frac{3}{4}$ " x $2\frac{1}{2}$ " x 58" canopy end rails